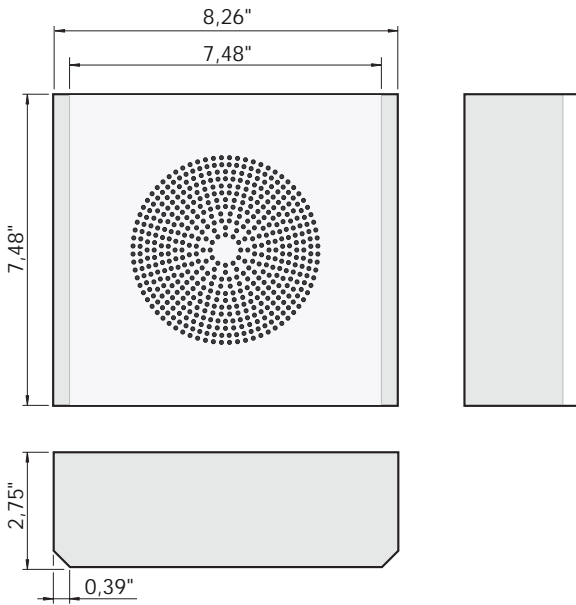


WALL-MOUNTING SPEAKER



EN 54 - 24

WMS 406T/EN loudspeakers have been designed as surface or ceiling mounted units for a wide area of applications. Thanks to their steel casings the loudspeakers are tough to vandals and more resistant to any and all mechanical damages. They are equipped with ceramic terminal blocks and thermal fuse that ensure continuous operations of sound transmitting line connected with the loudspeaker even in the case the latter is damaged or burnt as a result of fire.

Rated Power	6 W
Adjustable Power	6 - 3 - 1,5 W
Line Input	50 - 70 - 100 V
Frequency Response	120 ÷ 15.000 Hz
Sensitivity(1W/1m)	91 dB
Sound Pressure (Pnom/1m)	98 dB
Dispersion Angle (2 kHz)	130°
Weight	1,6 kg

