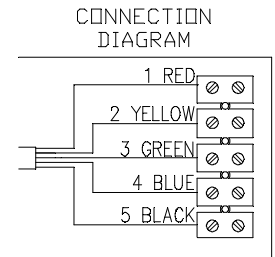
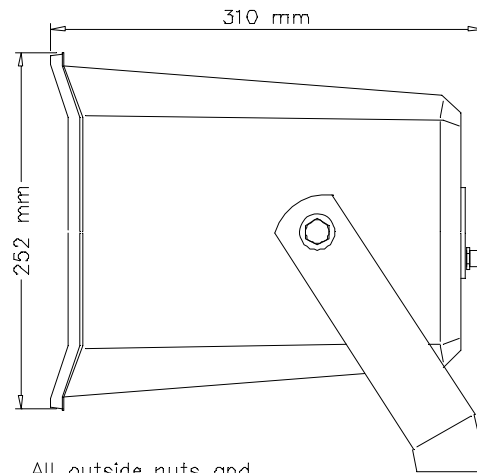
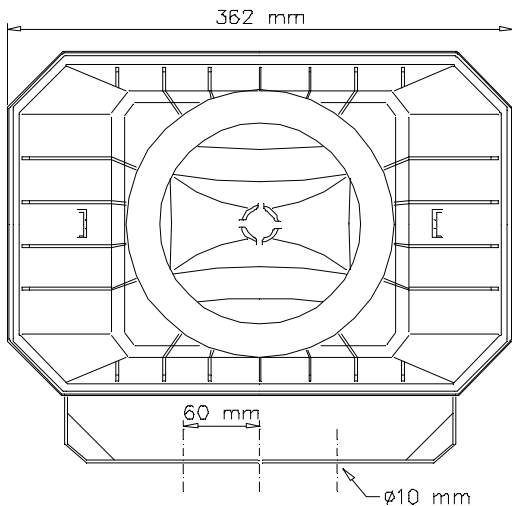


ABS MUSIC HORN SPEAKER



Cable gland
M-12
(2,5-6,5mm)

100V transformer
Primary nominal
tappings

Red	Yellow	50,0 W
Yellow	Green	25,0 W
Green	Blue	12,5 W
Red	Green	9,0 W
Yellow	Blue	4,5 W
Red	Blue	3,0 W
Red	Black	8 Ω

All outside nuts and screws in stainless steel

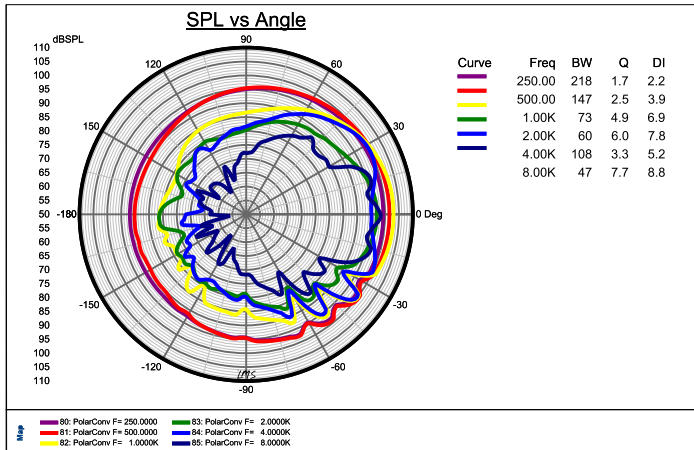
Sound pressure levels at 1W/1m P-6/15B



Specifications

Material / Color	ABS, Polypropylene / RAL 7035
Mounting	Aluminum bracket
Termination	Screw terminals in termination chamber
Weight w/transformer	4,1 kg
IP-rating	55
Max. / min. amb. temp	90°C / -40°C
Rated / max. power	50 W / 70 W
SPL 1W/1m	104 dB
SPL rated power	121 dB
Effective freq. range	140 – 16000 Hz
Dispersion (-6dB) 1kHz / 4kHz	65° / 20°
Directivity factor, Q	
Options	Impedances, colors, labels

SPL vs Angle



Installation, Operation and Maintenance procedures

- Unscrew lid, lead cable through cable gland and connect to terminal according to required power or 8 Ohm red: black.
- Tighten cable gland and fasten termination chamber lid with a torque of 1-2 Nm to assure IP grade.
- Fasten the bracket to wall or ceiling with 3 screws.
- To change the position of the loudspeaker, please adjust the bracket (by loosening / tightening the screws) as required.
- For optimum performance always use the correct voltage / power and operate within the frequency limits as stated.
- Do not open loudspeaker when energized.
- This loudspeaker is supplied with a 2 year warranty against defective workmanship.